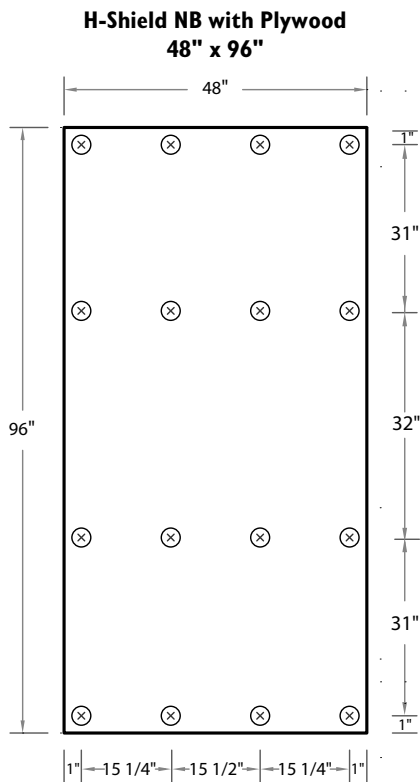
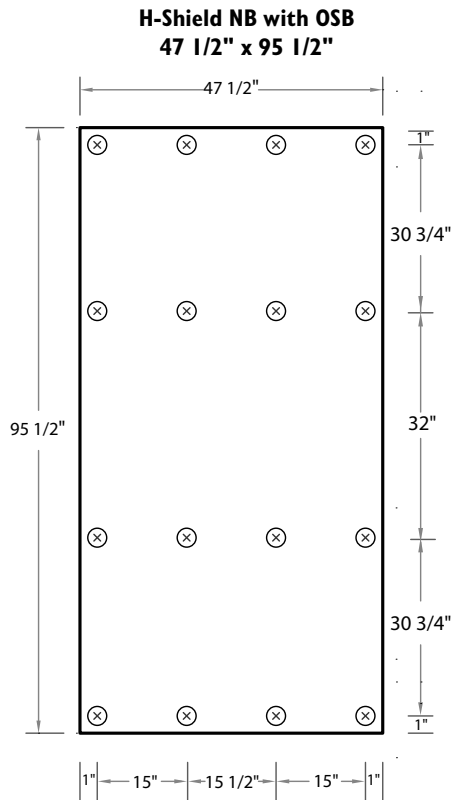


LESS THAN 1/2:12



888.746.1114

HunterPanels.com



**Hunter Panels Products**

- H-Shield NB with OSB - 47 1/2" x 95 1/2"
- H-Shield NB with Plywood - 48" x 96"

**Roof Types:**

- Single Ply Membranes
- Standing Seam Metal

**Deck Types**

- Wood Framing - 16" or 32" OC
- Concrete
- Steel

**Notes**

- H-Shield-NB must be installed on a structural deck. Do not install directly to framing. H-Shield-NB is not a structural panel.
- Use Hunter Panels SIP fasteners.
- Fastener must penetrate the structural deck by at least 1".
- For slate and tile roofs, contact manufacturer for recommendations.
- The above fastening pattern meets FM 1-60 and 90 requirements in low slope applications where applicable.
- For UL-90 rated assemblies under select metal roof systems, please contact the Standing Seam Metal manufacturer for approved fastener, plate and fastening pattern.